

ARCH SHADE - A

CAR PARKING SHADE

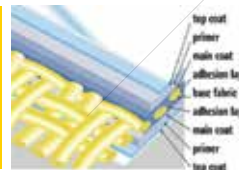
مظلة سيارات قوس - A



- 6-inch pipe thickness of 4 mm.
- 2.5 inch pipe thickness 3 mm.
- 2.5 inch pipe thickness 2.5 mm.
- Plate joints to assemble the canopy 12 mm.
- Canvas PVC German ten-year guarantee.
- Fabric (N.E.T.) German-made ten-year guarantee.
- Aluminum for installation cloth 4 cm 1.5 cm.
- Screws 16 mm solid steel with plastic cover for protection.
- Thermal dye is resistant to all weather conditions.
- Cement steel for the foundations of the canopy 85 x85 x85 cm.

- مقاطع بايب (٦) انش سماكة ٤ مم.
- مقاطع بايب (٢,٥) انش سماكة ٣ مم.
- مقاطع بايب (٢,٥) انش سماكة ٢,٥ مم.
- بليت لتجميع مفاصل المظلة ١٢ مم.
- قماش (بي في سي) الماني ضمان عشر سنوات.
- قماش (N.E.T.) الماني الصنع ضمان عشر سنوات.
- المنيوم للتثبيت القماش ٤ سم ١,٥ سم.
- براغي ستيل صلب ١٦ مم مع غطاء بلاستيك للحماية.
- صبغ حراري مقاوم لجميع الحالات الجوية.
- أسمنت صلب للأساسات المظلة ٨٥ x ٨٥ x ٨٥ سم.

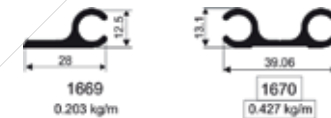
Materials



- Tensile strength : 2200/200 N/5cm
- Tear Strength : 280/280 N
- Low Temperature-No Crack At : -30 C
- A : UV resistant .
- B : FR Flame Retardant .
- C : Warranty : 10 years .



- At Leeds we have large stocks of aluminium profiles and extrusions for all forms of tents and shading structures.



- Material : UV stablished HDPE
- Temperature range : -30 C to +75 C
- Tensile Strength - Weft : 635 N/50mm
- Tensile Strength - Weft : 2494 N/50mm
- Bursting Pressure (Mean) (AS 2001.2.4) : 3500 kPa
- UV Block : Up to 98.8%
- Warranty : 10 year UV*



Kedar

- As part of our on-going service to the Marquee and Tent industry. We supply British manufactured tent Kedar. Used to engage and stabilize tents and shades structures
- The Kedar comes in two sizes. (8mm and 14mm)
- * UK Manufactured



ALBASSAM C-010

ARCH SHADE - A CAR PARKING SHADE

مظلة سيارات قوس - A



WHAT IS HOT DIP GALVANIZING ?

Hot Dip Galvanizing is a form of corrosion protection method, which involves coating an iron or steel structure with molten zinc.



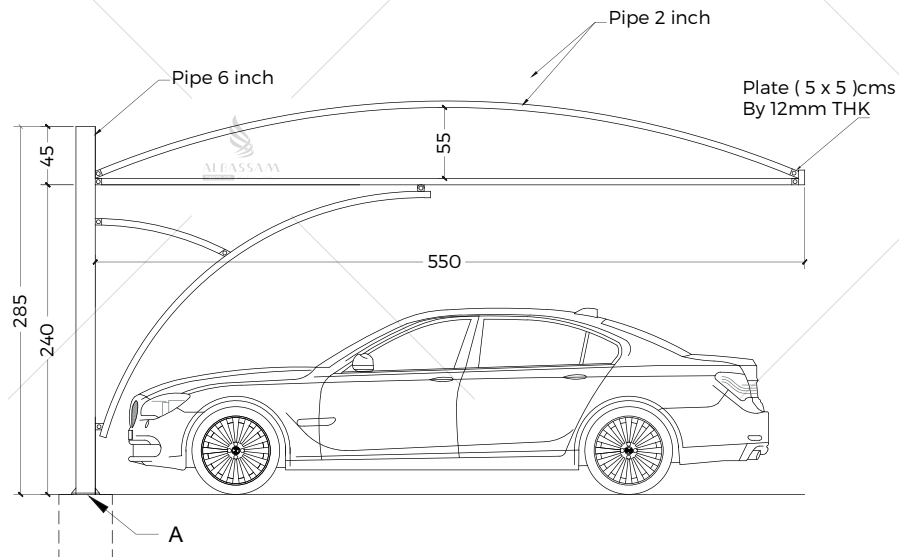
SCREWS

Stocked in steel | zinc plating.
• Available in 18-8 stainless steel
• Hot dipped galvanized, plain, and black oxide.

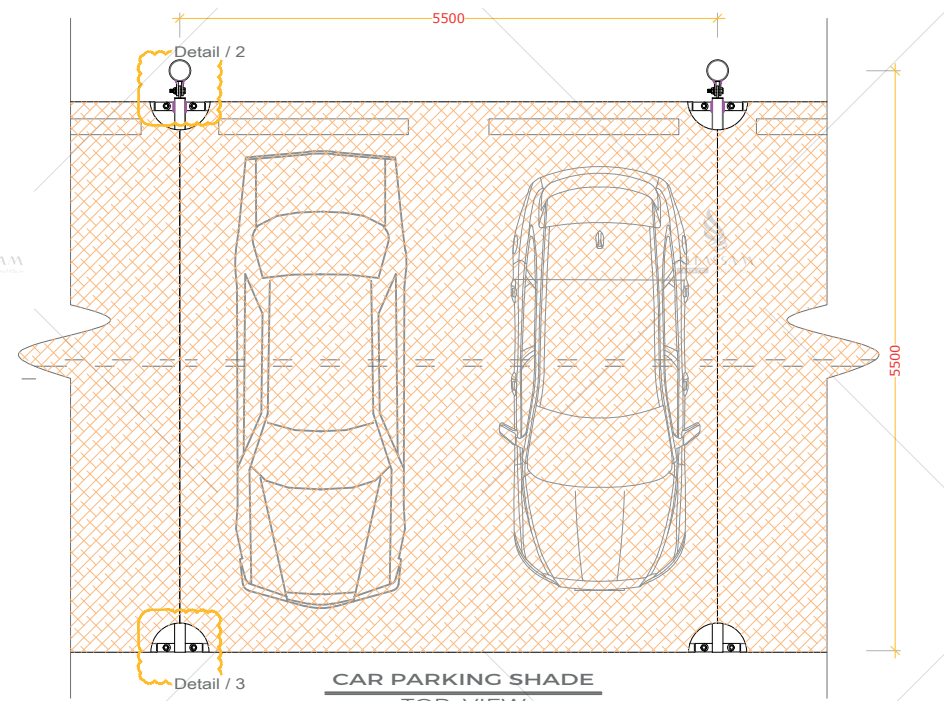


GAS EPOXY MIO JOTUN

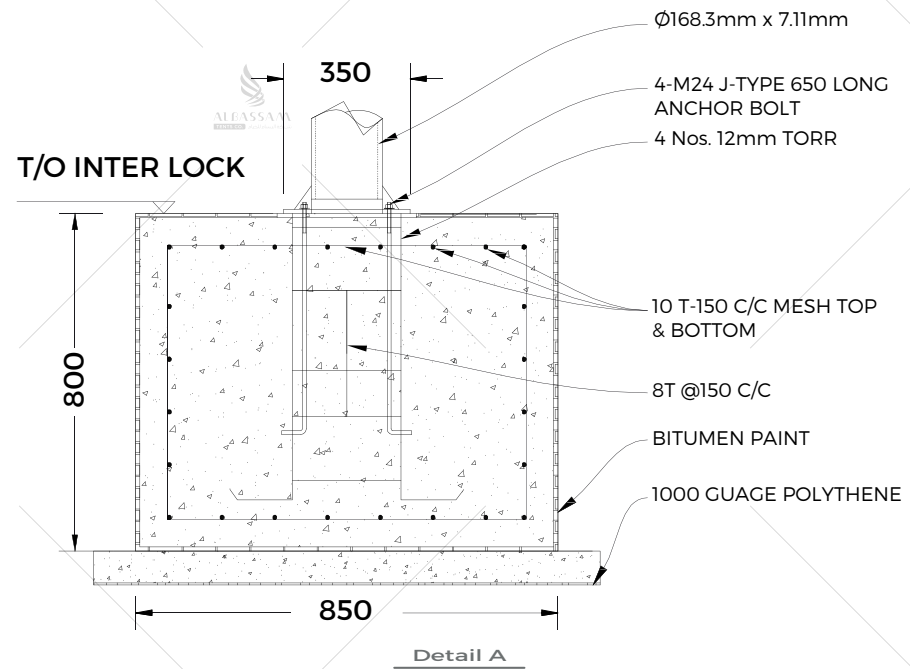
Paint epoxy high-quality composed of two compounds formed with a thickness large, anti-corrosive, contains chips iron oxide colored layer of a solid buffer against the passage of moisture and air pollutants and reflect UV rays and prevents access to the layer resin.



LIFT VIEW



CAR PARKING SHADE TOP VIEW



Detail A

Description	
Size	550 cm L. X 550 cm W. X 240 cm H.
Steel	Structure Main pipe / 6" - 5 mm THK. Truss pipe / 2.5" - 3 mm THK.
Fabric Covering	PVC, 900 g/m ² <input type="checkbox"/> HDPE, Net cloth <input type="checkbox"/>
Accessories	All the used accessories (bolts, nut, stiffener...) GI grade 8.8
Footing	80 cm L. X 80 cm W. X 80 cm H. Reinforced concrete with 4 No. anchor bolts grade 8.8 X 24 mm THK.
Warranty	10 Years Warranty - Fabric Covering Only
Finishing	Paint epoxy/epoxy marine The paint its high quality composed of two compounds Formed with a thickness large, anti-corrosive
Steel Quality	Fabricated Steel Components Hot Dip Galvanized In Accordance To International Standards Such As Astm B6 And En Iso 1461 ASTM: American Society For Testing And Materials, International Standards. ISO: International Organization For Standardization
Structural Calculation	Calculation load for the steel structure as per generated to 160 Kmph wind speed According to the requirements of UAE municipalities Design and Practice Codes: - ASTM International American Society for Testing and Materials, International Standards. - BS EN 206-1 Concrete. Specification, Performance, Production and Conformity. - NFPA 5000 Building Construction and safety Code. - ASCE 7-05, CIRIA Report 147

CAR PARKING SHADE DESCRIPTION



ALBASSAM C-010
ARCH SHADE - A
CAR PARKING SHADE
مظلة سيارات قوس - A

